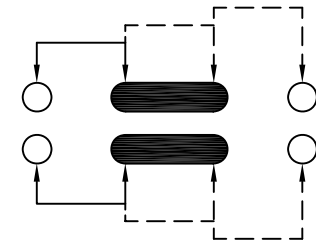
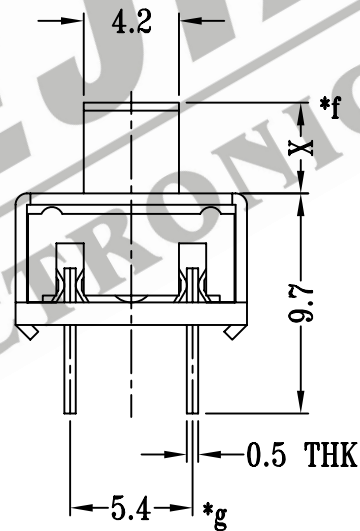
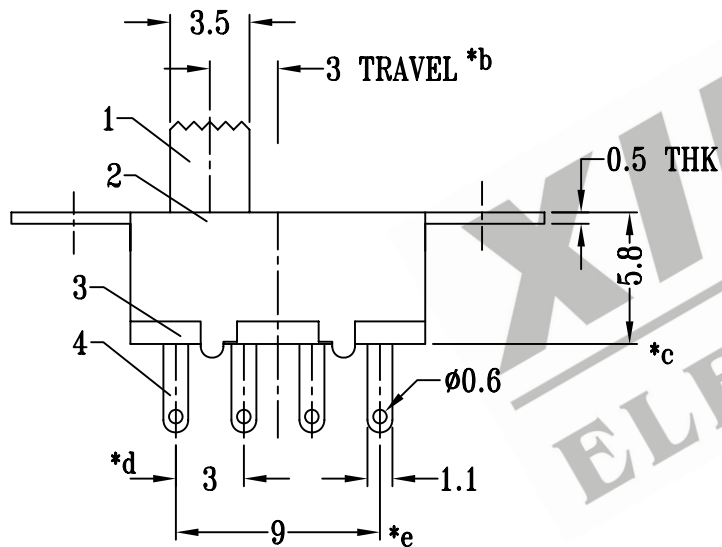
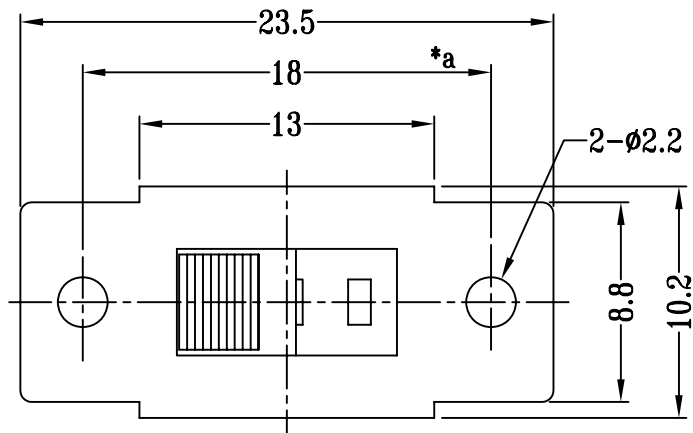
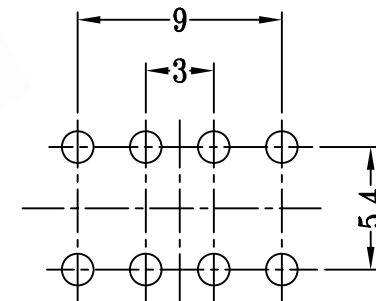


CAD FILE:



SCHEMATIC (NON-SHORTING)



IP.C.B LAYOUT

注:带"*"表示关键尺寸(7个)

NO.	PARTS	MATERIALS	Q'TY	FINISH	TOLERANCE UNLESS SPECIFIED	SHENZHEN XIEJIA ELECTRONICS CO.,LTD.				
8						TITLE : VERTICAL SLIDE SWITCH				
7	STEEL BALL	STEEL	1	NATURAL						UNIT : mm
6	SPRING	STEEL WIRE	1	TEMPER	WITHIN: 1.5±0.1mm	ISSUE	DATE	DESCRIPTIONS OF REVISION		APPD.
5	CONTACT CLIP	PBS STRIP	2	Ag PLATED	OVER : 1.5±0.2mm					
4	TERMINAL	BRASS STRIP	8	Ag PLATED OVER Ni PLATED		SCALE: 3:1		DWN.	ZHOUYU	2004-10-23
3	BASE	PHENOLIC RESIN	1	NATURAL				CHK'D	FANGYING	2004-10-23
2	FRAME	STEEL STRIP	1	Ni PLATED				APPD.	KANGXINAN	2004-10-23
1	KNOB	POM	1	BLACK				ALL MATERIALS MUST BE COMPLIANT TO ROHS		